

**bilz**

# ET1 Tool holder Engraving chuck

Reliable component marking  
during production processes



Extremely suited to permanent marking of sensitive components requiring traceability or identification

“This product will certainly leave its positive mark”

ET1-Action incl. promotional price\*  
valid from now to 31.12.2021



# ET1 Tool holder Engraving chuck

**bilz**

**Your CNC machine spindle can write - with the correct tool!  
Component marking without problem during running production!**

Sensitive or critical parts marking is an important element of running production for automotive ABS parts, con-rods etc. and can be identified for optimized traceability during production runs.

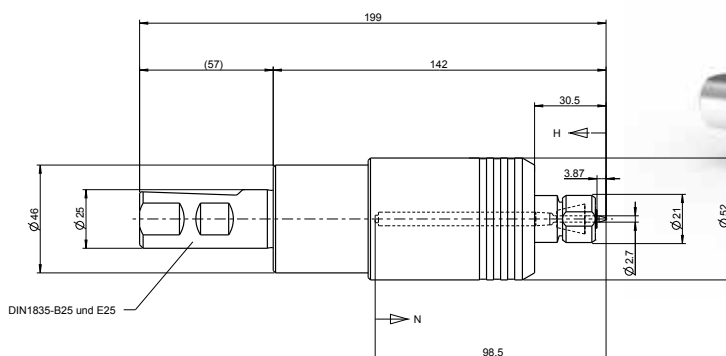
## ET1 now steps up to the challenge:

The ball bearing supported ET1 Tool holder Engraving chuck can be loaded into the machine spindle from the machine magazine in the normal way conventional tooling gets loaded. It supports the use of a hard metal engraving tip which is pre-tensioned with a 10mm pressure spring. This design technology can also accommodate uneven surface engraving without problems.

## Additional advantages:

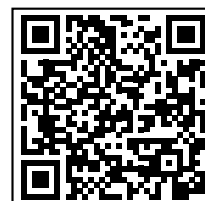
The hard metal engraving tip is clamped in a rubber-flex collet and is therefore easily exchanged. Because of its modular design the ET1 tool can be easily adapted to suit any current spindle connection.

## ET1 Dimensions



Designation	Ident No.	Promotional price*
ET 1/W25-RF11 Engraving chuck	5014773	<b>398 €</b>

Our  
**Promotional  
price**



QR-Code ET1  
in action

## ET 1 - Your benefit\*



- Long tool life
- No material surface destruction or weakening of critical surfaces
- No burs
- Marking possible on sand-blasted surfaces up to 54 HRC possible
- Fast, quiet marking during normal production
- Spindle loading by conventional automatic tool-changer methods
- Suited to a current spindle connections and materials

\* The offer for the ET1 is valid for end users and sales partners alike, while stocks last, on an ex-stock basis. Subject to prior sale. The prices shown are a net price structure and subject to normal VAT, where applicable. The promotion is available with immediate effect until 31st December 2021. Our normal terms and conditions of sale apply and can be found on the BILZ website: [www.bilz.com/conditions](http://www.bilz.com/conditions)